



# MINT



❖ EVAPORATOR

❖ For Chill and Freezer Cabinet

$Q_0$   
380.6  $\Rightarrow$  1,125 W  
T.D. 8 K

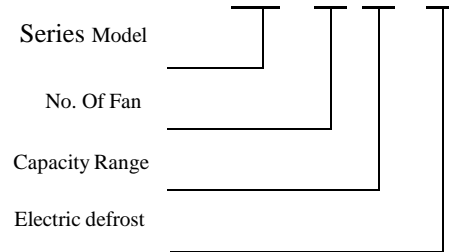


R 404a

Subject to technical amendment without prior notice [www.ku-ler.com](http://www.ku-ler.com)



MINT 2 2 - FED



**MINT - Series**

**Feature**

- With their considerably compact dimensions MINT unit coolers are especially designed for application in refrigerator and small cabinet. They are intended for Medium temperature and low temperature applications ("Te" between 0° and -20 °C).
- MINT consists of 6 models that cover a capacity ranging from 380.6 to 1,125 watts.

**Option**

**- Defrost**

- Low temperature model is equipped with electrical defrost which is placed by side of the coil. The defrost provides easy maintenance and ensures equal heat distribution through the coil

**Construction**

**- Heat Exchanger**

- Manufactured with rippled aluminium fins (fin spacing 5.0mm.) and inner-grooved copper tubes (diameter 9.53mm or 3/8") and (diameter 12.7 mm or 1/2 ")
- Using fin pattern 25.4 x 22mm and fin patten 35 x 35 which is exclusively designed for producing coils for refrigerated cold rooms in order to optimize heat exchanger efficiency
- Carefully degreased and air pressure tested at 30 bars

- High heat exchanger performance
- Variety of coils can be selected as they are manufactured by our own factory

**- Casing**

- Base of casing is made of galvanized steel. Cover is aluminum casing.
- Light weight, beautifully designed and safe due to no sharp or cutting edges
- Hygienic due to round-cornered casing, lack of corrosive elements and no rust or toxic particles peeling of the casing material
- Robust, high thermal and mechanical shock-proof
- Environmental friendly as the casing is totally recyclable.
- drip tray allows condensation to drain freely. It facilitates easy installation, maintenance and cleaning. It allows full access to all unit components and allows casing removal too.

**- Ventilation**

- 50 Hz fan assembly (OD 230mm) is designed with Aluminium fan. life lubricated motor, connected to the junction box .
- The guards are designed to a new concept with moulded fins which allow better air distribution to the coil and improve the unit cooler appearance.

## MINT MEDIUM TEMPERATURE

### Application

- ❖ CHILL CABINET
- ❖ CAPACITY RANGE FROM 380 W TO 1,125 W
- ❖ TUBES: COPPER TUBE 3/8”(9.53mm.)
- ❖ FIN SPACING : 5 mm.

### การใช้งาน

- ❖ ตู้แช่
- ❖ ขนาดตั้งแต่ 380 W ถึง 1,125 W
- ❖ ใช้ท่อทองแดง ขนาด 3/8” (9.53 ม.ม.)
- ❖ ระยะห่างฟิน 5 มม.

## MINT - FED FREEZER TEMPERATURE

### Application

- ❖ FREEZER CABINET
- ❖ CAPACITY RANGE FROM 215.2 TO 670 W
- ❖ TUBES: COPPER TUBE 1/2”(12.7mm.)
- ❖ FIN SPACING : 4.2 mm.

### การใช้งาน

- ❖ ตู้แช่แข็ง
- ❖ ขนาดตั้งแต่ 215.2 W ถึง 670 W
- ❖ ใช้ท่อทองแดง ขนาด 1/2” (12.7 ม.ม.)
- ❖ ระยะห่างฟิน 4.2 มม.

### Electric defrost

- ❖ Completely connected to junction box
- ❖ The heaters are fitted in the good position between coil and drainpan for a quick and equal defrost
- ❖ 230 V/1/Y

### ละลายน้ำแข็งด้วย ฮีตเตอร์ไฟฟ้า

- ❖ วงจรไฟฟ้า ต่อเสร็จสมบูรณ์ ภายในกล่องไฟ
- ❖ ฮีตเตอร์ถูกวางลงในตำแหน่งที่เหมาะสมเพื่อการละลายน้ำแข็ง ที่รวดเร็วและทั่วถึง
- ❖ 230 V/1/Y

AIR COOLED EVAPORATOR MINT MEDIUM TEMPERATURE TYPE						
MODEL	Capacity*(W)	Row	Air Flow m <sup>3</sup> /h	Surface Area m <sup>2</sup>	Tube Volume L	Fan Ø (mm.)
	TR = 0 °C T.D. = 8 K					
MINT 12	380.6	5	193.7	1.19	0.52	230 x 1
MINT 22	744.7	5	383.2	2.34	1.02	230 x 2
MINT 32	1,125	5	574	3.50	1.53	230 x 3

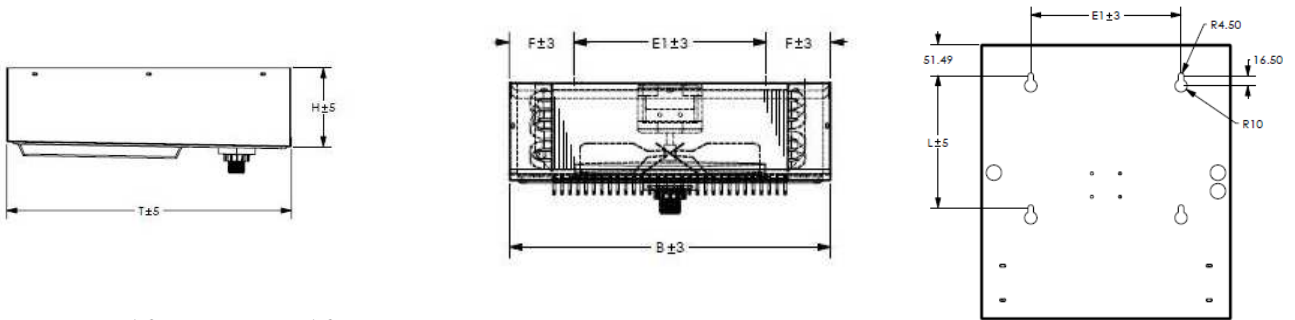
\*  $\dot{W}$  R-404, TE 0°C, to -13°C

MODEL	Dimensions Mint Medium Temperature					
	H	B	T	E1	F	L
MINT 12	124.77	408	449	245	81	215
MINT 22	124.77	694	449	630	32	220
MINT 32	126.30	994	424	885	52	225

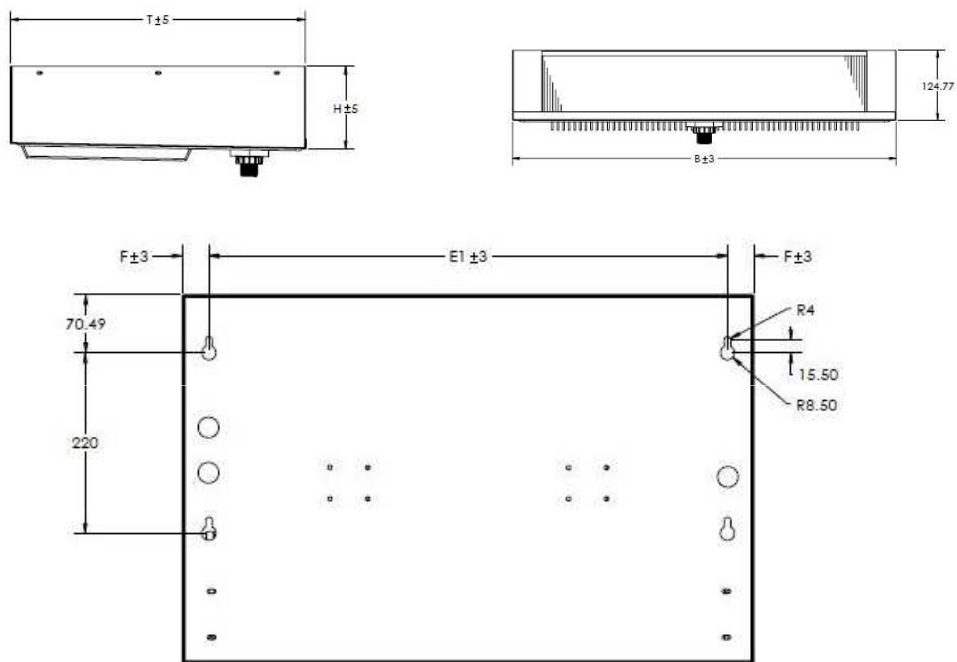
AIR COOLED EVAPORATOR MINT FED - FREEZER TEMPERATURE TYPE							
MODEL	Capacity*(W)	Row	Air Flow m <sup>3</sup> /h	Surface Area m <sup>2</sup>	Tube Volume L	Fan Ø (mm.)	Heater In Coil (kW)
	TR = -18 °C T.D. = -7 K						
MINT 12- FED	215.2	4	275.5	1.35	0.41	230 x 1	0.3
MINT 22- FED	448.5	4	569.8	2.85	0.86	230 x 2	0.6
MINT 32- FED	670	4	853.7	4.27	1.29	230 x 3	0.9

\*  $\dot{W}$  R-404, Te 0°C, to -13 °C

MODEL	Dimensions Mint - Fed Freezer Temperature					
	H	B	T	E1	F	L
MINT 12-FED	124.77	408	449	245	81	215
MINT 22-FED	124.77	694	449	630	30	220
MINT 32-FED	126.30	994	424	885	52	225



MINT 12 , MINT 12 FED



MINT 22 & 32 , MINT 22 &32 FED